

B5107-Series - Butterfly Valves

Features

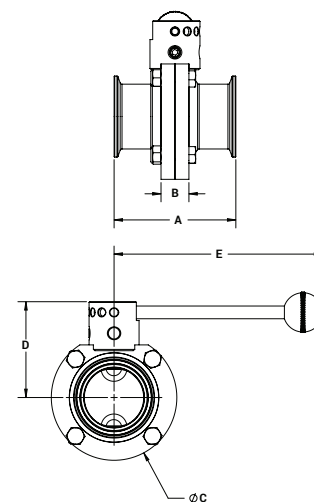
- Robust disc stem
- Bi-directional flow
- Self lubricating seal
- Silicone and EPDM for valve sizes 1/2" to 4" have USP VI certification
- 100% hydraulic tested/inspected
- Various actuation options available

Materials

- Product contact material: 316L stainless steel
- Seat: EPDM, FKM, and silicone
- Seat lubricant: MOLYKOTE 111

Specifications

- Vacuum rating: 0.4 inches Hg at 68°F (20°C)
- Operating temperature range: 15°F to 200°F (-9°C to 93°C)

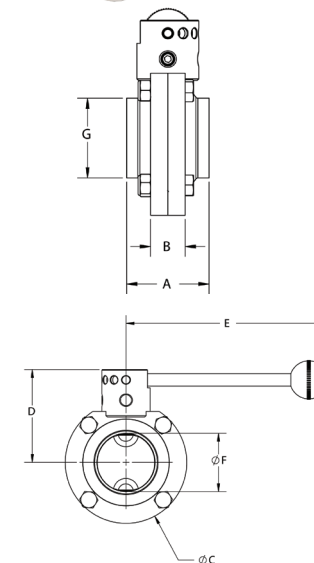


Clamp End with Pull Handle - [A]

Size	Dimensions					316L Stainless Steel with Silicone Seats Part #	316L Stainless Steel with FKM Seats Part #	316L Stainless Steel with EPDM Seats Part #
	A (in)	B (in)	C (in)	D (in)	E (in)			
1/2"	3.50	0.90	3.10	2.60	4.60	B5107S050CC-A	B5107V050CC-A	B5107E050CC-A
3/4"	3.50	0.90	3.10	2.60	4.60	B5107S075CC-A	B5107V075CC-A	B5107E075CC-A
1"	3.50	0.90	3.10	2.60	4.60	B5107S100CC-A	B5107V100CC-A	B5107E100CC-A
1-1/2"	3.50	0.90	3.10	2.60	4.60	B5107S150CC-A	B5107V150CC-A	B5107E150CC-A
2"	3.80	0.90	3.90	3.00	4.60	B5107S200CC-A	B5107V200CC-A	B5107E200CC-A
2-1/2"	3.80	0.90	4.60	3.40	4.60	B5107S250CC-A	B5107V250CC-A	B5107E250CC-A
3"	4.10	1.20	5.20	3.50	6.50	B5107S300CC-A	B5107V300CC-A	B5107E300CC-A
4"	4.80	1.20	6.70	4.30	6.50	B5107S400CC-A	B5107V400CC-A	B5107E400CC-A
6"	5.50	1.20	8.50	5.60	11.70	B5107S600CC-A	---	B5107E600CC-A
8"	5.00	1.20	11.20	7.80	18.10	B5107S800CC-A	---	B5107E800CC-A

Weld End with Pull Handle - [A]

Size	316L Stainless Steel with Silicone Seats Part #	316L Stainless Steel with FKM Seats Part #	316L Stainless Steel with EPDM Seats Part #
1/2"	B5107S050BB-A	B5107V050BB-A	B5107E050BB-A
3/4"	B5107S075BB-A	B5107V075BB-A	B5107E075BB-A
1"	B5107S100BB-A	B5107V100BB-A	B5107E100BB-A
1-1/2"	B5107S150BB-A	B5107V150BB-A	B5107E150BB-A
2"	B5107S200BB-A	B5107V200BB-A	B5107E200BB-A
2-1/2"	B5107S250BB-A	B5107V250BB-A	B5107E250BB-A
3"	B5107S300BB-A	B5107V300BB-A	B5107E300BB-A
4"	B5107S400BB-A	B5107V400BB-A	B5107E400BB-A
6"	B5107S600BB-A	---	B5107E600BB-A
8"	B5107S800BB-A	---	B5107E800BB-A



Size	Dimensions						
	A (in)	B (in)	C (in)	D (in)	E (in)	F (in)	G (in)
1/2"	1.87	0.90	3.10	2.60	4.60	0.37	0.50
3/4"	1.87	0.90	3.10	2.60	4.60	0.62	0.75
1"	1.87	0.90	3.10	2.60	4.60	0.87	1.00
1.5"	1.87	0.90	3.10	2.60	4.60	1.37	1.50
2"	2.06	0.90	3.90	3.00	4.60	1.87	2.00
2.5"	2.12	0.90	4.60	3.40	4.60	2.37	2.50
3"	2.50	1.20	5.20	3.50	6.50	2.87	3.00
4"	3.18	1.20	6.70	4.30	6.50	3.83	4.00
6"	3.83	1.20	8.50	5.60	11.70	5.78	6.00
8"	4.97	1.20	11.20	7.80	18.10	7.78	8.00