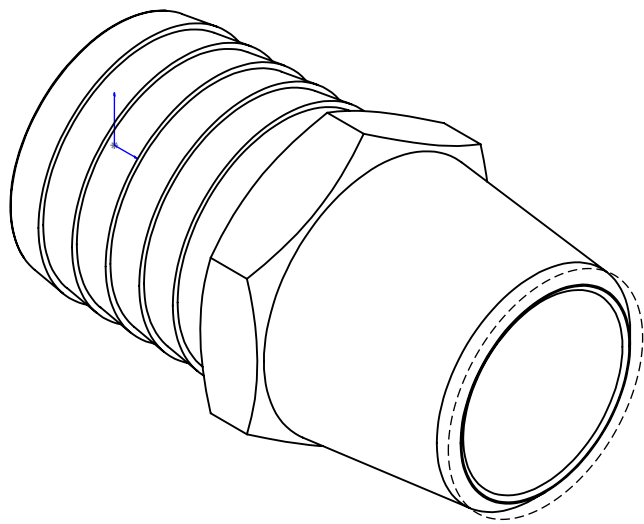
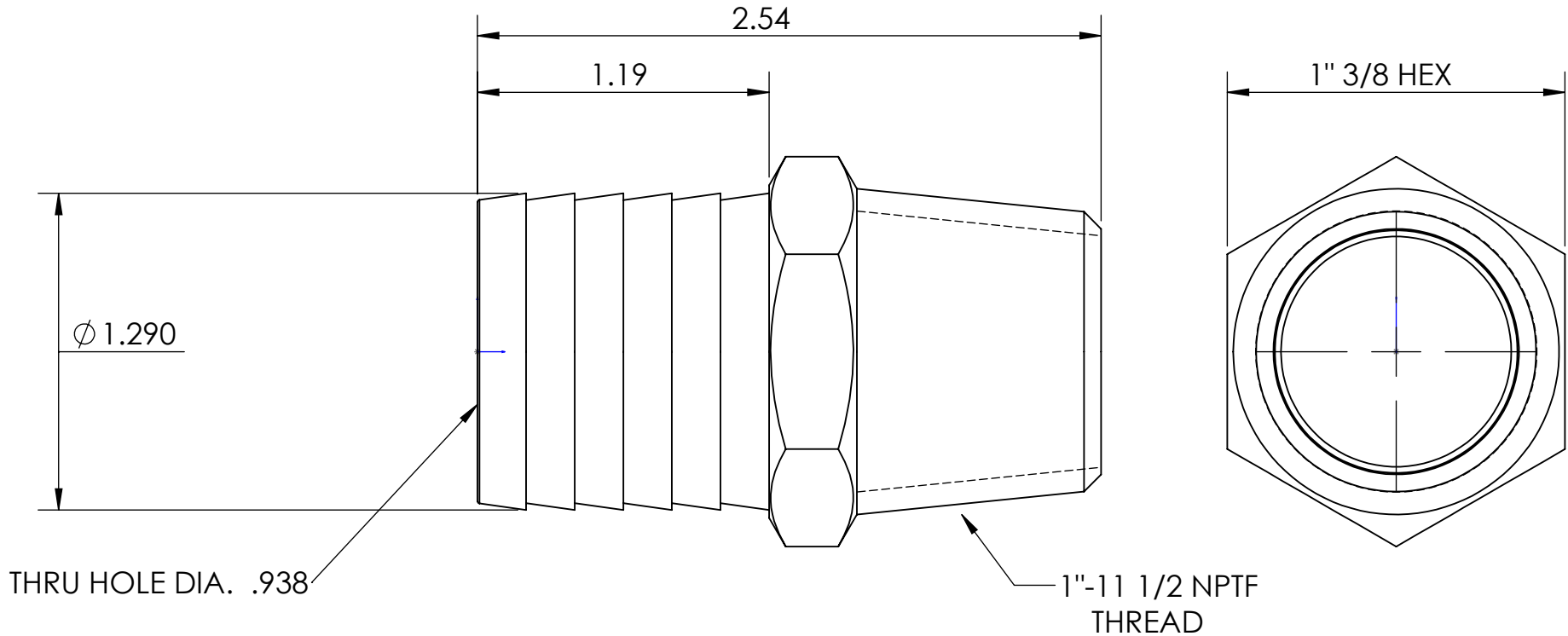



LINE DRAWING NOT FOR PRODUCTION PURPOSES



| | | | |
|---|--|---|--|
| THIS DRAWING CONTAINS INFORMATION DEEMED PROPRIETARY TO DIXON BRASS AND IS SO TO BE USED ONLY FOR THE PURPOSE FOR WHICH IT IS SUBMITTED, AND FURTHER, SHALL NOT BE COPIED IN WHOLE OR IN PART WITHOUT EXPRESS WRITTEN PERMISSION FIRST OBTAINED FROM DIXON BRASS. | | | |
| UNLESS OTHERWISE SPECIFIED: | |  Dixon Brass Westmont, Illinois USA | DRAWN P. MONAGHAN DATE 10/31/13 |
| DIMENSIONS ARE IN INCHES TOLERANCES: ANGLES: ±0°30' .X (±.015) .XX (±.010) .XXX (±.005) DIMENSIONS PER ANSI Y14.5 | | | APPROVED ECO NO. |
| TITLE: 1" 1/4 MALE HOSE BARB X 1" -11 1/2 NPTF | | DRAWING NOT REPRODUCED TO SCALE | |
| SIZE A | | DWG. NO. 1022016C | REV A |