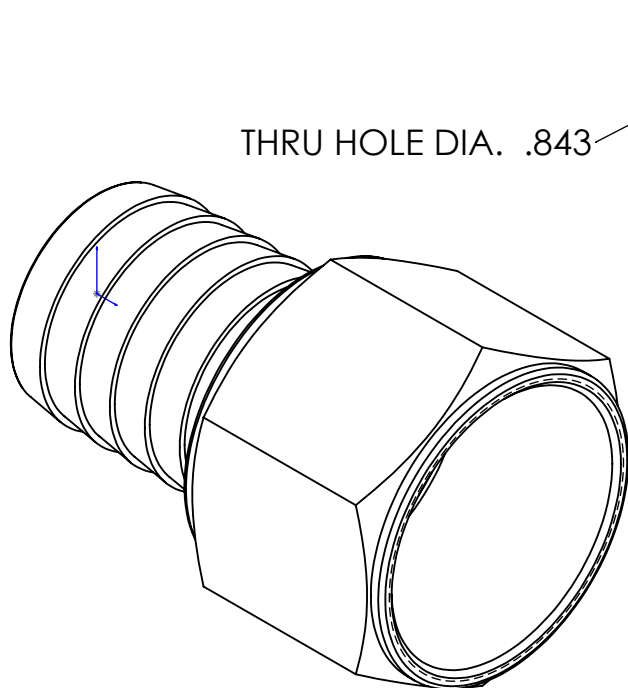
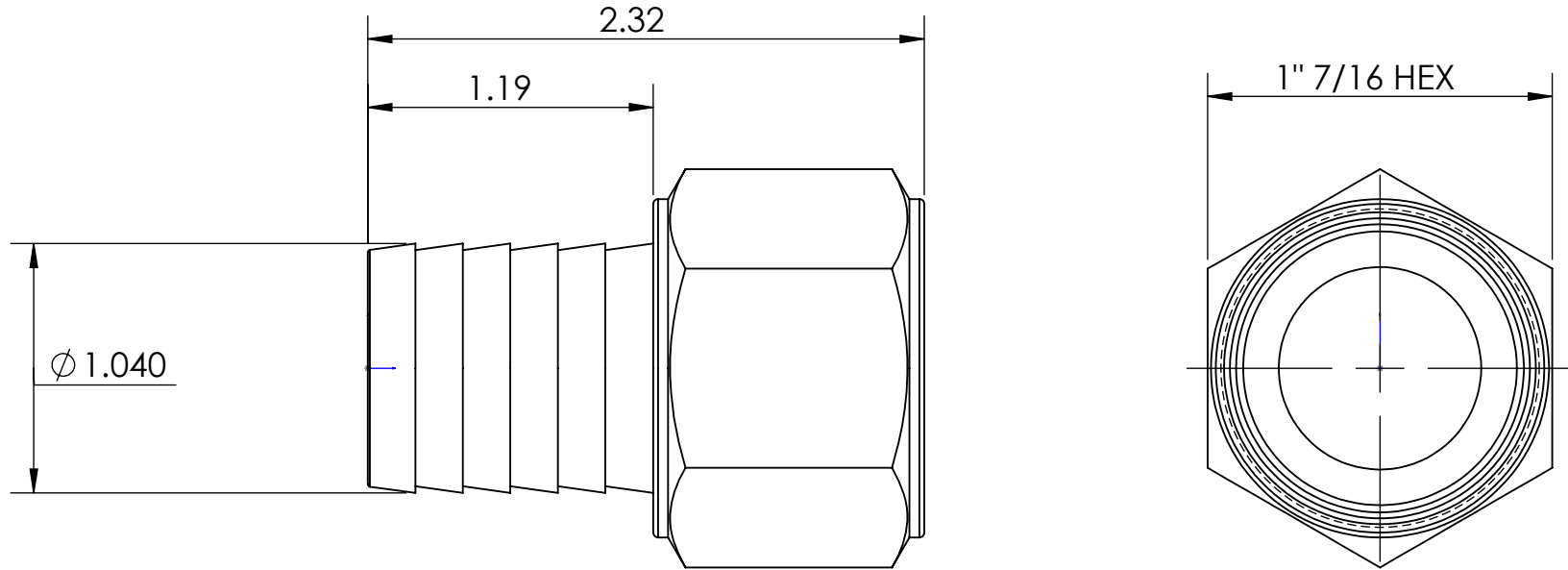
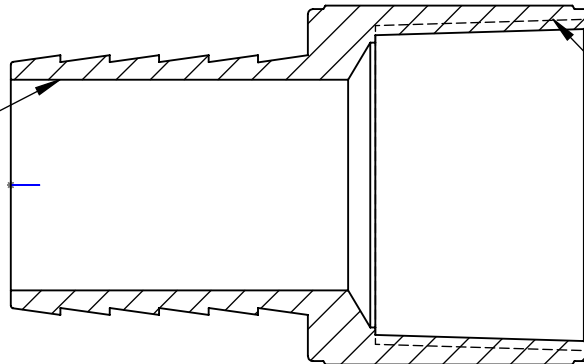



LINE DRAWING NOT FOR PRODUCTION PURPOSES



THRU HOLE DIA. .843



1" - 11 1/2 NPTF
THREAD

| | | | |
|---|--|--|--|
| THIS DRAWING CONTAINS INFORMATION DEEMED PROPRIETARY TO DIXON BRASS AND IS SO TO BE USED ONLY FOR THE PURPOSE FOR WHICH IT IS SUBMITTED, AND FURTHER, SHALL NOT BE COPIED IN WHOLE OR IN PART WITHOUT EXPRESS WRITTEN PERMISSION FIRST OBTAINED FROM DIXON BRASS. | | | |
| UNLESS OTHERWISE SPECIFIED: | |  The Right Connection™ | Dixon Brass Westmont, Illinois USA |
| DIMENSIONS ARE IN INCHES TOLERANCES: ANGLES: ±0°30' .X (±.015) .XX (±.010) .XXX (±.005) DIMENSIONS PER ANSI Y14.5 | | | |
| | | ECO NO. | |
| | | DRAWING NOT REPRODUCED TO SCALE | |
| TITLE: 1" FEMALE HOSE BARB X 1" - 11 1/2 NPTF | | SIZE A | DWG. NO. 1041616C |
| | | REV A | |