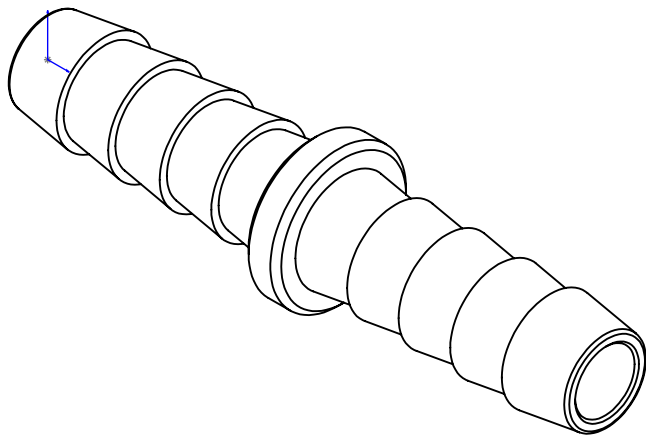
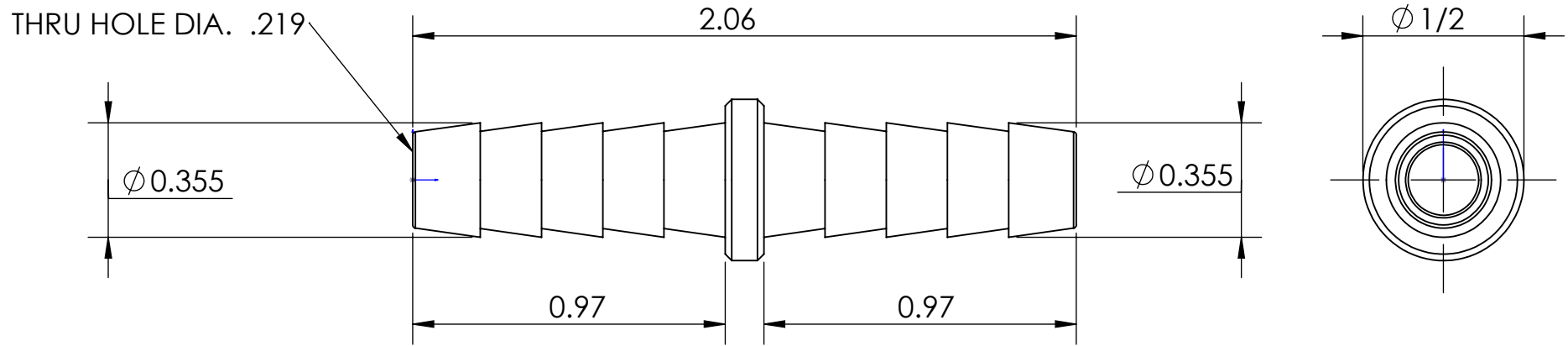



LINE DRAWING NOT FOR PRODUCTION PURPOSES



THIS DRAWING CONTAINS INFORMATION DEEMED PROPRIETARY TO DIXON BRASS AND IS SO TO BE USED ONLY FOR THE PURPOSE FOR WHICH IT IS SUBMITTED, AND FURTHER, SHALL NOT BE COPIED IN WHOLE OR IN PART WITHOUT EXPRESS WRITTEN PERMISSION FIRST OBTAINED FROM DIXON BRASS.			
UNLESS OTHERWISE SPECIFIED:			
DIMENSIONS ARE IN INCHES		 The Right Connection™	DRAWN P. MONAGHAN DATE 6/17/14
TOLERANCES: ANGLES: $\pm 0^{\circ}30'$.X ($\pm .015$) .XX ($\pm .010$) .XXX ($\pm .005$)			APPROVED DATE
DIMENSIONS PER ANSI Y14.5		TITLE: HOSE SPLICER 5/16 X 5/16	ECO NO. DRAWING NOT REPRODUCED TO SCALE
		SIZE A	DWG. NO. 1780505C REV E