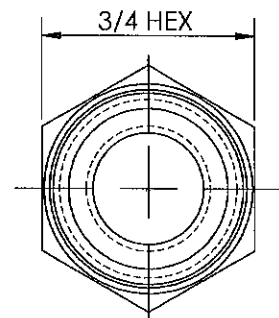
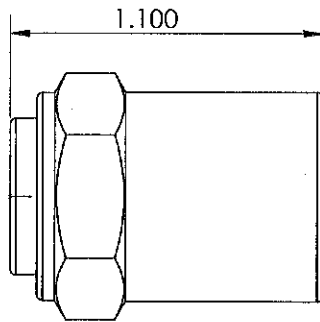
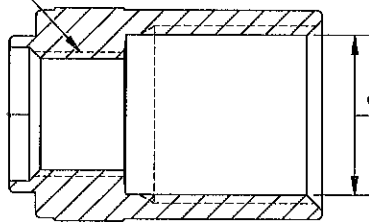


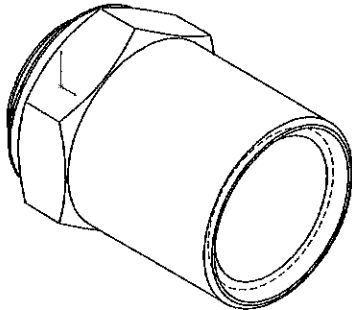
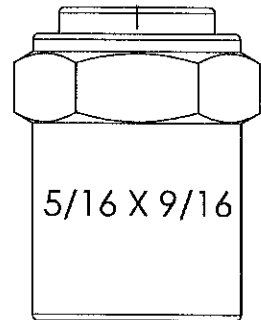
LINE DRAWING NOT FOR PRODUCTION PURPOSES




7/16 - 20 UNF2B
HOSE I.D. 5/16

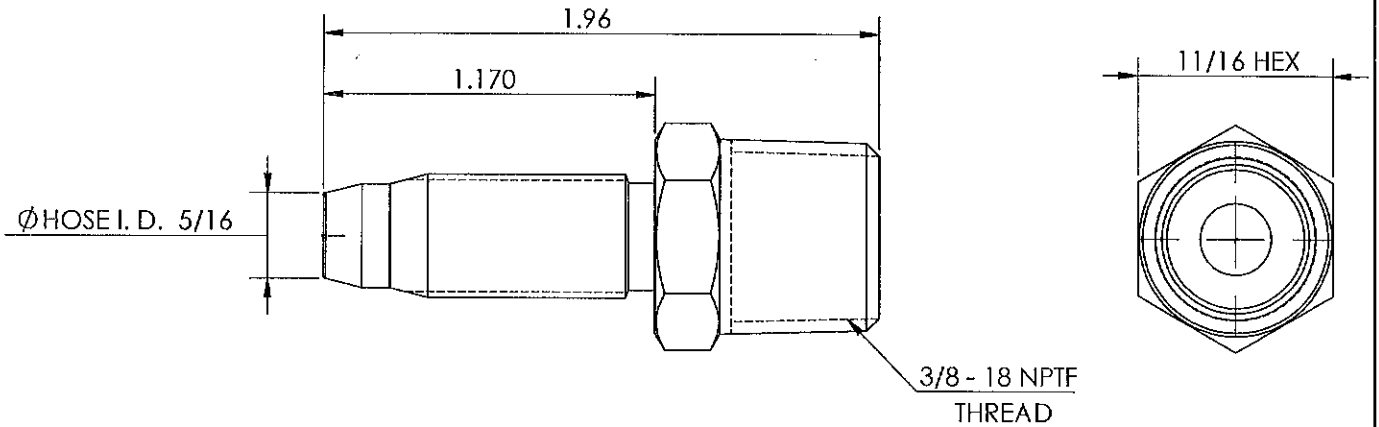


Ø HOSE O.D. 9/16

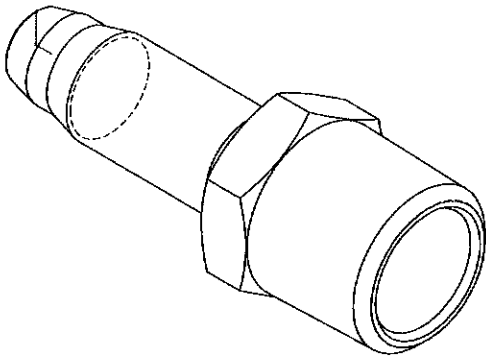
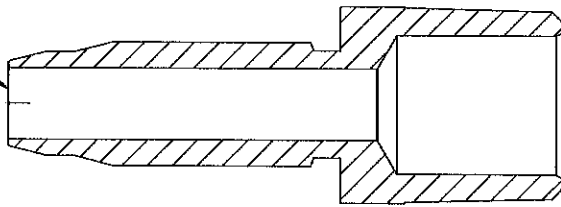



THIS DRAWING CONTAINS INFORMATION DEEMED PROPRIETARY TO DIXON BRASS AND IS SO TO BE USED ONLY FOR THE PURPOSE FOR WHICH IT IS SUBMITTED, AND FURTHER, SHALL NOT BE COPIED IN WHOLE OR IN PART WITHOUT EXPRESS WRITTEN PERMISSION FIRST OBTAINED FROM DIXON BRASS.				
UNLESS OTHERWISE SPECIFIED:				
DIMENSIONS ARE IN INCHES		 Dixon Brass Westmont, Illinois USA	DRAWN P. MONAGHAN APPROVED	DATE 4/17/15 DATE
TOLERANCES: ANGLES: ±0°30' .X (±.015) .XX (±.010) .XXX (±.005)			ECO NO.	
DIMENSIONS PER ANSI Y14.5		TITLE: REUSABLE FERRULE	DRAWING NOT REPRODUCED TO SCALE	
SIZE A	DWG. NO. 1800509F	REV B		

LINE DRAWING NOT FOR PRODUCTION PURPOSES



THRU HOLE DIA. .250



THIS DRAWING CONTAINS INFORMATION DEEMED PROPRIETARY TO DIXON BRASS AND IS SO TO BE USED ONLY FOR THE PURPOSE FOR WHICH IT IS SUBMITTED, AND FURTHER, SHALL NOT BE COPIED IN WHOLE OR IN PART WITHOUT EXPRESS WRITTEN PERMISSION FIRST OBTAINED FROM DIXON BRASS.			
UNLESS OTHERWISE SPECIFIED:			
DIMENSIONS ARE IN INCHES			
TOLERANCES: ANGLES: ±0°30' .X (±.015) .XX (±.010) .XXX (±.005)			
DIMENSIONS PER ANSI Y14.5			
 The Right Connection™		Dixon Brass Westmont, Illinois USA	
DRAWN P. MONAGHAN APPROVED		DATE 4/27/15 DATE	
ECO NO.		DRAWING NOT REPRODUCED TO SCALE	
TITLE: REUSABLE MALE STEM		SIZE A	DWG. NO. 1820506S
		REV B	