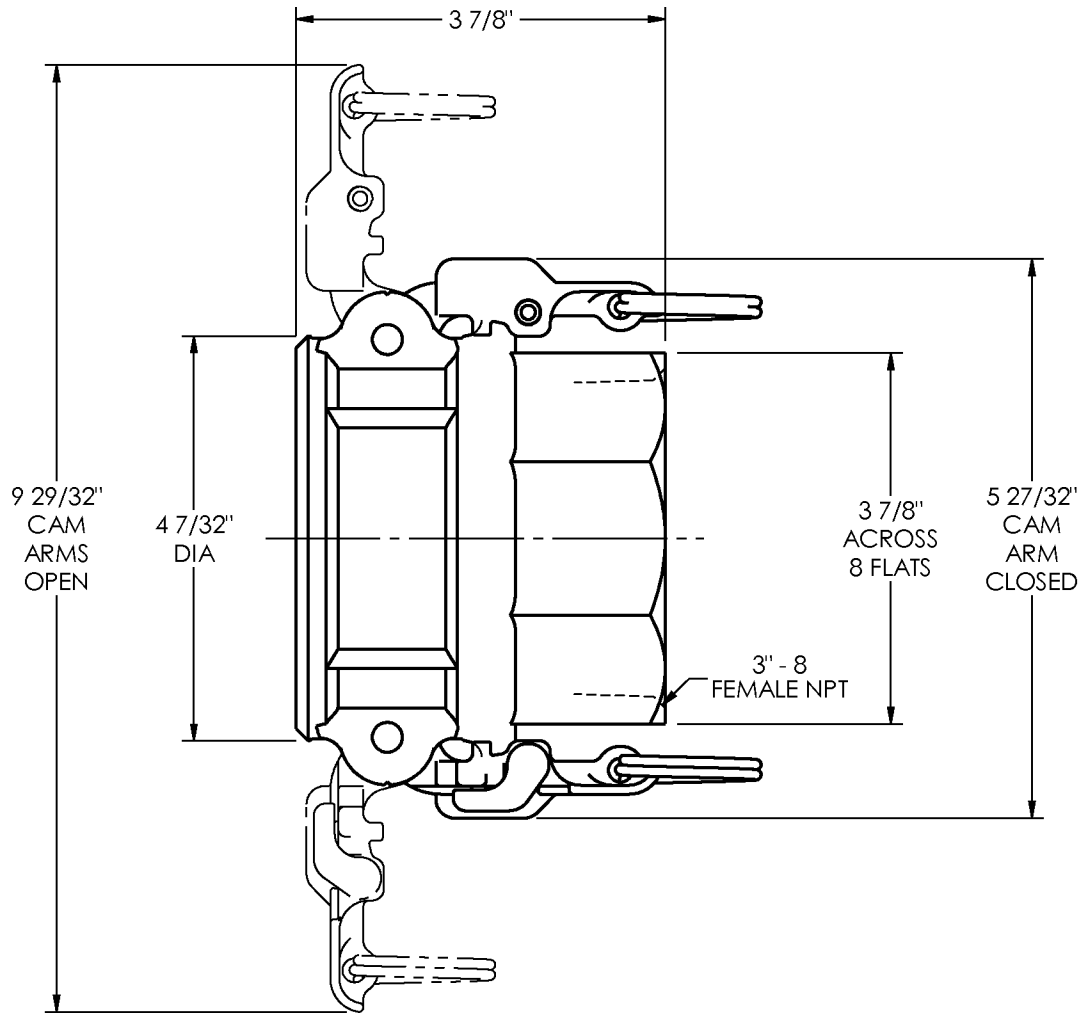


# AD300EZ

CUSTOMER DWG



CUSTOMER DWG

### AGREEMENT TO MAINTAIN CONFIDENTIALITY

This drawing is owned by Dixon Valve & Coupling Co. and shall be returned upon demand. It is loaned on condition that it shall not be copied or reproduced or submitted to others without the owners consent. In accepting it subject to this condition the recipient further agrees that this drawing or any design detail or concept disclosed herein shall not be used in any way detrimental to or in competition with the owner. If the recipient does not agree to the terms of this agreement they shall return this drawing immediately. The information contained in this drawing is subject to change without notice.

REV:



## DIXON VALVE & COUPLING CO. U. S. A.

TITLE  
DIXON/BOSS-LOCK TYPE D COUPLER  
3" COUPLER X FEMALE NPT THREAD

DRWN BY: JAT  
12/14/11

CHECKED BY: GMJ  
12/14/11

APPROVAL: GMJ  
12/14/11

MAT'L:  
ALUMINUM

# AD300EZ