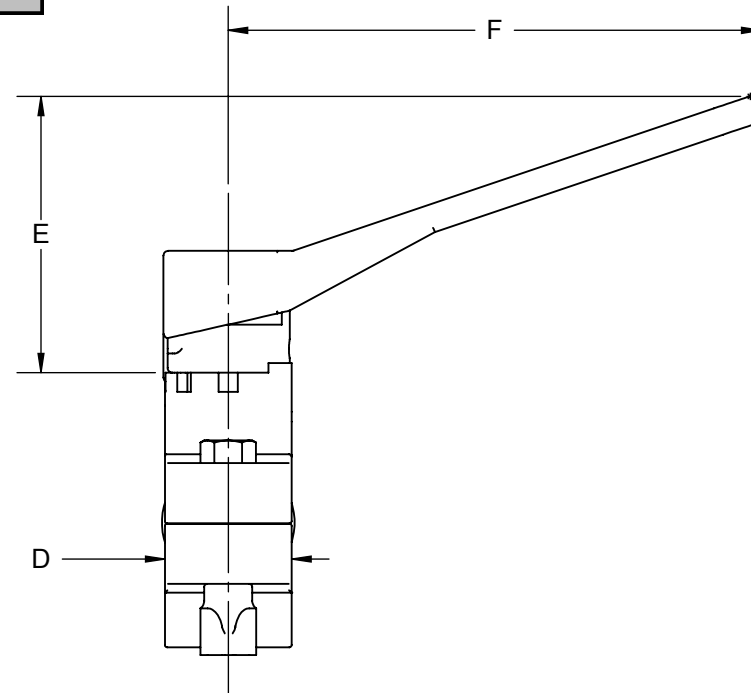
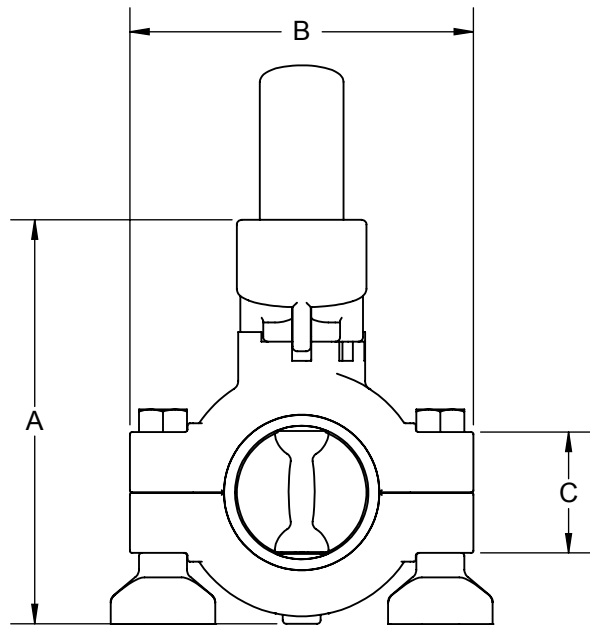
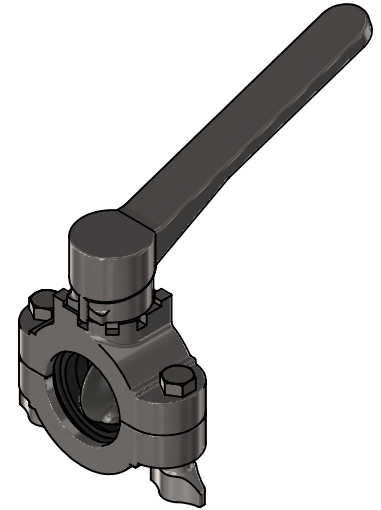


SIZE	A	B	C	D	E	F
1" - IN	4.2	3.6	1.4	1.3	2.9	5.6
1" - MM	106	91	34	34	73	141
1.5" - IN	4.2	3.6	1.4	1.3	2.9	5.6
1.5" - MM	106	91	34	34	73	141
2" - IN	4.8	4.1	1.3	1.3	2.9	5.6
2" - MM	121	104	33	34	73	141
2.5" - IN	5.2	4.6	1.3	1.3	2.9	5.6
2.5" - MM	133	117	34	34	73	141
3" - IN	5.8	5.3	1.4	1.3	2.9	5.6
3" - MM	147	134	35	34	73	141
4" - IN	6.7	6.4	1.3	1.3	2.9	5.6
4" - MM	171	162	33	34	73	141



The Right Connection™

PROPRIETARY AND CONFIDENTIAL

This drawing is owned by Dixon Valve & Coupling Co. and shall be returned upon demand. It is loaned on condition that it shall not be copied or reproduced or submitted to others without the owners consent. In accepting it subject to this condition the recipient further agrees that this drawing or any design detail or concept disclosed herein shall not be used in any way detrimental to or in competition with the owner. If the recipient does not agree to the terms of this agreement they shall return this drawing immediately. The information contained in this drawing is subject to change without notice.

DO NOT SCALE THIS DRAWING

DIXON  **U.S.A.**

THE RIGHT CONNECTION™

DESCRIPTION:

MATERIAL(S):

PART NUMBER:

B5102