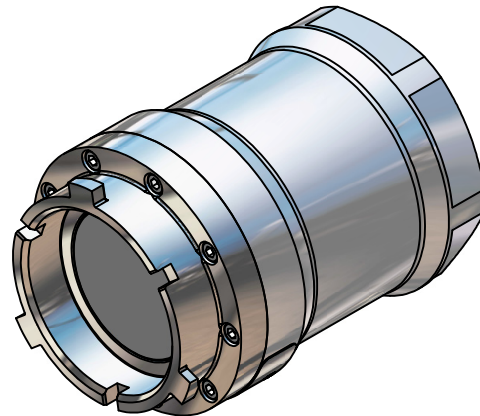
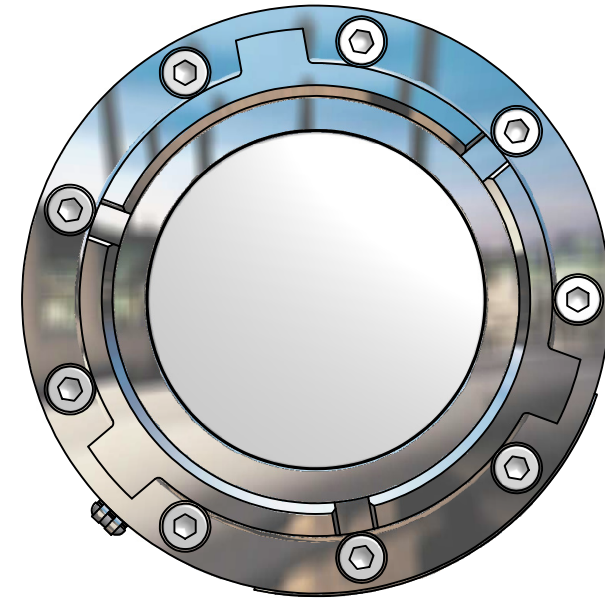
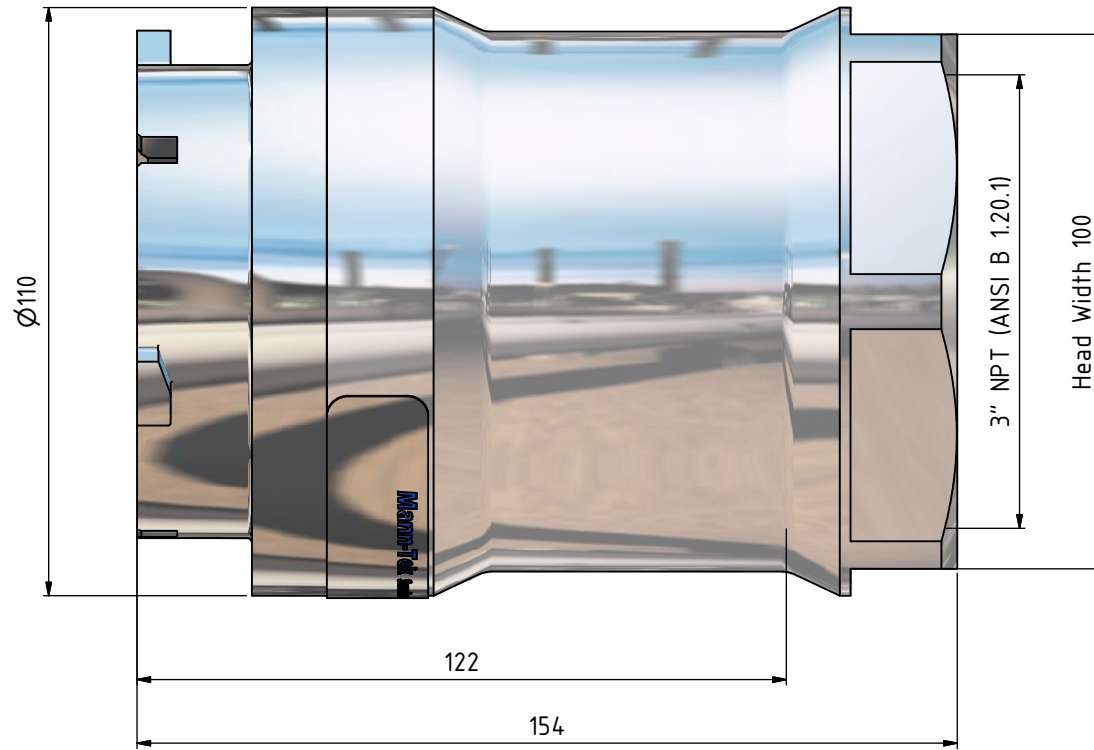


Notice. This drawing contains proprietary information and shall not be used or reproduced or its contents disclosed in whole or in part, without the prior written consent of the Mann Teknik AB



Dimensions are in metric.

Detail No:	Material	Ytbeh./Treatment	
<b>Mann</b> T e h	Designed/drawn by P. Nyberg	Scale: 1:1	Dimension with no tolerances acc to Machined SS-ISO 2768-1 medium Weld Forge SS-ISO 2768-1 coarse Surface roughness ISO 1302 Form & position tol SS ISO 1101
	Checked G. Kopplin	Date 2006-10-26	
	Approved T. Mann		
Tank Unit 2 1/2" - ISO45 Thread 3" NPT Female			Data nr./Comp No. G315A1401
			Blad/Sheet 1 / 1
			Drawing No. G315A1401-1
			Rev.

NO.	Revision comprises	Date	Sign.	Appr by
-----	--------------------	------	-------	---------