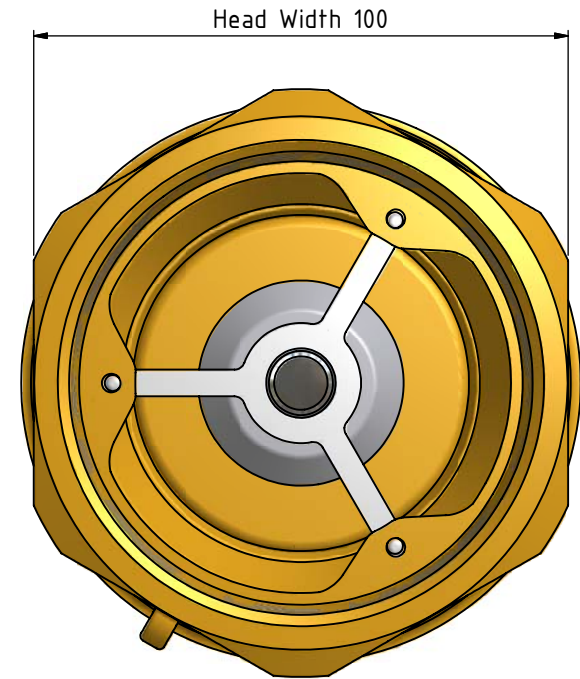
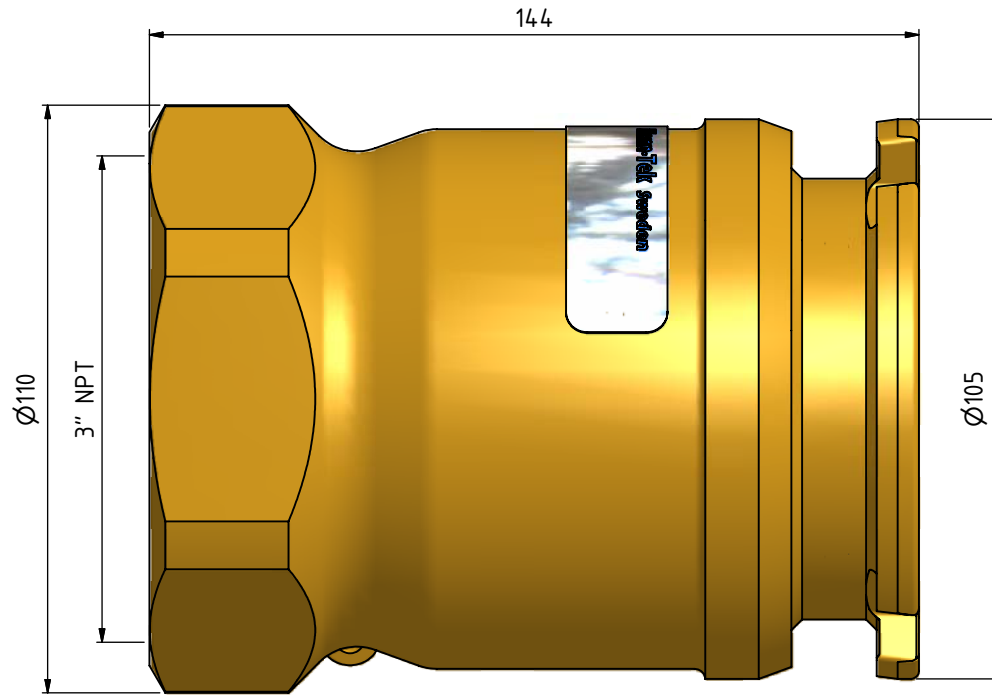
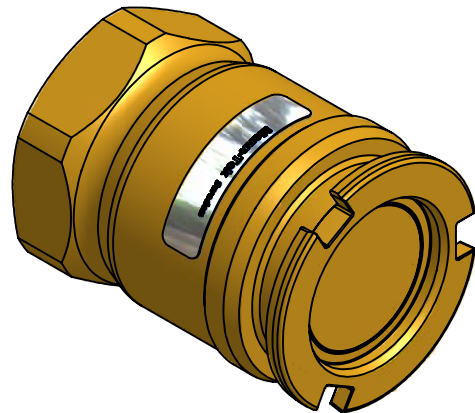



Notice: This drawing contains proprietary information and shall not be used or reproduced or its contents disclosed in whole or in part, without the prior written consent of the Mann-Technik AB



Dimensions are in metric.

Detail No:		Material		Ytbeh./Treatment	
		Designed/drawn by	Scale:	Dimension with no tolerances acc to Machined SS-ISO 2768-1 medium Weld Forge SS-ISO 2768-1 coarse Surface roughness ISO 1302 Form & position tol SS ISO 1101	
		Checked	1:1		
		Approved	Date		
		P. Nyberg	2007-05-16		
		G. Kopplin			
		T. Mann			
Tank Unit 2 1/2" Connection: 3" NPT				Data nr./Comp No.	Blad/Sheet
				T315D1101	1 / 1
				Drawing No.	Rev.
				T315D2201-1	

NO.	Revision comprises	Date	Sign.	Appr by
-----	--------------------	------	-------	---------