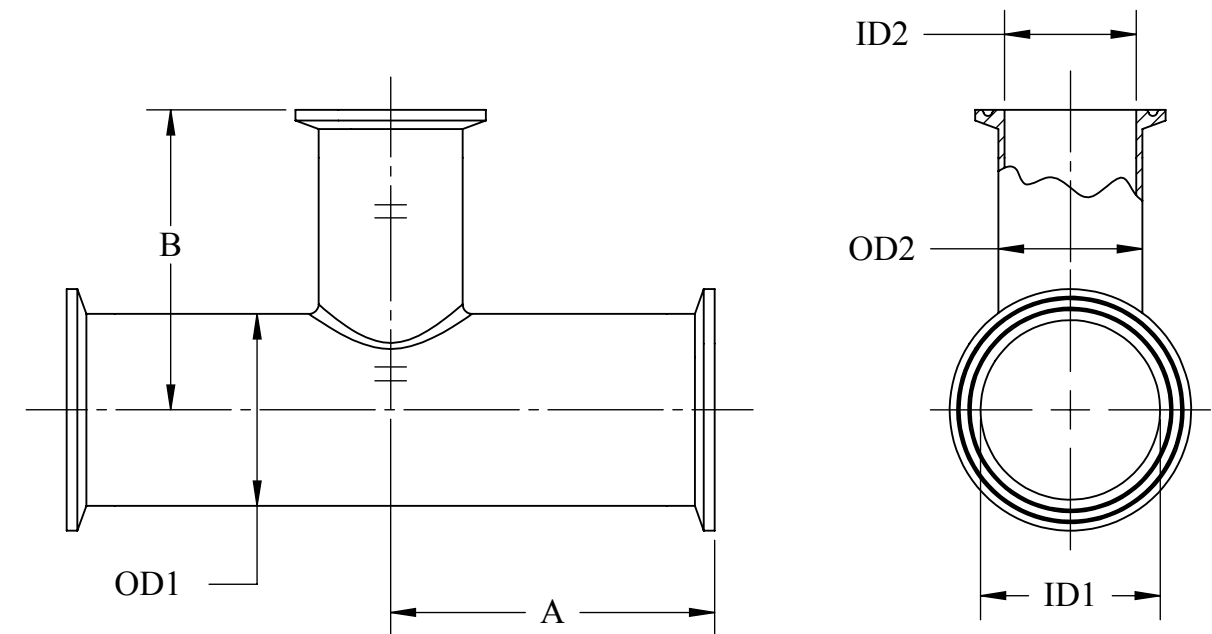
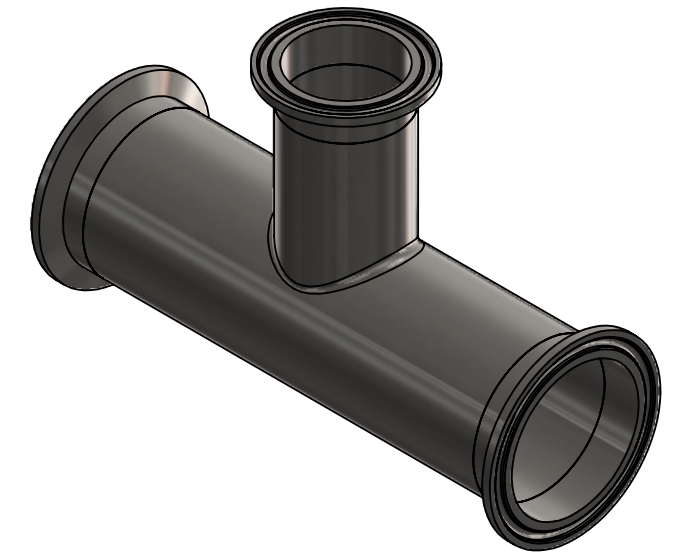


PART SIZE	A		B		OD1		ID1		OD2		ID2	
	IN	MM	IN	MM	IN	MM	IN	MM	IN	MM	IN	MM
.75" X .5"	2.500	63.50	2.500	63.50	0.750	19.05	0.620	15.75	0.500	12.70	0.370	9.40
1" X .5"	2.625	66.68	2.625	66.68	1.000	25.40	0.870	22.10	0.500	12.70	0.370	9.40
1" X .75"	2.625	66.68	2.625	66.68	1.000	25.40	0.870	22.10	0.750	19.05	0.620	15.75
1.5" X .5"	2.875	73.03	2.875	73.03	1.500	38.10	1.370	34.80	0.500	12.70	0.370	9.40
1.5" X .75"	2.875	73.03	2.875	73.03	1.500	38.10	1.370	34.80	0.750	19.05	0.620	15.75
1.5" X 1"	2.875	73.03	2.875	73.03	1.500	38.10	1.370	34.80	1.000	25.40	0.870	22.10
2" X .5"	3.375	85.73	3.125	79.38	2.000	50.80	1.870	47.50	0.500	12.70	0.370	9.40
2" X .75"	3.375	85.73	3.125	79.38	2.000	50.80	1.870	47.50	0.750	19.05	0.620	15.75
2" X 1"	3.375	85.73	3.125	79.38	2.000	50.80	1.870	47.50	1.000	25.40	0.870	22.10
2" X 1.5"	3.375	85.73	3.125	79.38	2.000	50.80	1.870	47.50	1.500	38.10	1.370	34.80
2.5" X .5"	3.625	92.08	3.375	85.73	2.500	63.50	2.370	60.20	0.500	12.70	0.370	9.40
2.5" X .75"	3.625	92.08	3.375	85.73	2.500	63.50	2.370	60.20	0.750	19.05	0.620	15.75
2.5" X 1"	3.625	92.08	3.375	85.73	2.500	63.50	2.370	60.20	1.000	25.40	0.870	22.10
2.5" X 1.5"	3.625	92.08	3.375	85.73	2.500	63.50	2.370	60.20	1.500	38.10	1.370	34.80
2.5" X 2"	3.625	92.08	3.375	85.73	2.500	63.50	2.370	60.20	2.000	50.80	1.870	47.50
3" X .5"	3.875	98.43	3.625	92.08	3.000	76.20	2.870	72.90	0.500	12.70	0.500	12.70
3" X .75"	3.875	98.43	3.625	92.08	3.000	76.20	2.870	72.90	0.750	19.05	0.750	19.05
3" X 1"	3.875	98.43	3.625	92.08	3.000	76.20	2.870	72.90	1.000	25.40	0.870	22.10
3" X 1.5"	3.875	98.43	3.625	92.08	3.000	76.20	2.870	72.90	1.500	38.10	1.370	34.80
3" X 2"	3.875	98.43	3.625	92.08	3.000	76.20	2.870	72.90	2.000	50.80	1.870	47.50
3" X 2.5"	3.875	98.43	3.625	92.08	3.000	76.20	2.870	72.90	2.500	63.50	2.370	60.20
4" X .5"	4.750	120.65	4.125	104.78	4.000	101.60	3.834	97.38	0.500	12.70	0.370	9.40
4" X .75"	4.750	120.65	4.125	104.78	4.000	101.60	3.834	97.38	0.750	19.05	0.620	15.75
4" X 1"	4.750	120.65	4.125	104.78	4.000	101.60	3.834	97.38	1.000	25.40	0.870	22.10
4" X 1.5"	4.750	120.65	4.125	104.78	4.000	101.60	3.834	97.38	1.500	38.10	1.370	34.80
4" X 2"	4.750	120.65	4.375	111.13	4.000	101.60	3.834	97.38	2.000	50.80	1.870	47.50
4" X 2.5"	4.750	120.65	4.375	111.13	4.000	101.60	3.834	97.38	2.500	63.50	2.370	60.20
4" X 3"	4.750	120.65	4.375	111.13	4.000	101.60	3.834	97.38	3.000	76.20	2.870	72.90
6" X 3"	7.125	180.98	5.375	136.53	6.000	152.40	5.782	146.86	3.000	76.20	2.870	72.90
6" X 4"	7.125	180.98	5.750	146.05	6.000	152.40	5.782	146.86	4.000	101.60	3.834	97.38



<p><b>PROPRIETARY AND CONFIDENTIAL</b></p> <p>This drawing is owned by Dixon Valve &amp; Coupling Co. and shall be returned upon demand. It is loaned on condition that it shall not be copied or reproduced or submitted to others without the owners consent. In accepting it subject to this condition the recipient further agrees that this drawing or any design detail or concept disclosed herein shall not be used in any way detrimental to or in competition with the owner. If the recipient does not agree to the terms of this agreement they shall return this drawing immediately. The information contained in this drawing is subject to change without notice.</p> <p><b>DO NOT SCALE THIS DRAWING</b></p>	<p><b>DIXON U.S.A.</b></p> <p>THE RIGHT CONNECTION™</p>
	<p>DESCRIPTION: BPE CLAMP REDUCING TEE</p>
	<p>MATERIAL(S): 316L STAINLESS</p>
	<p>PART NUMBER: <b>T7RMP</b></p>