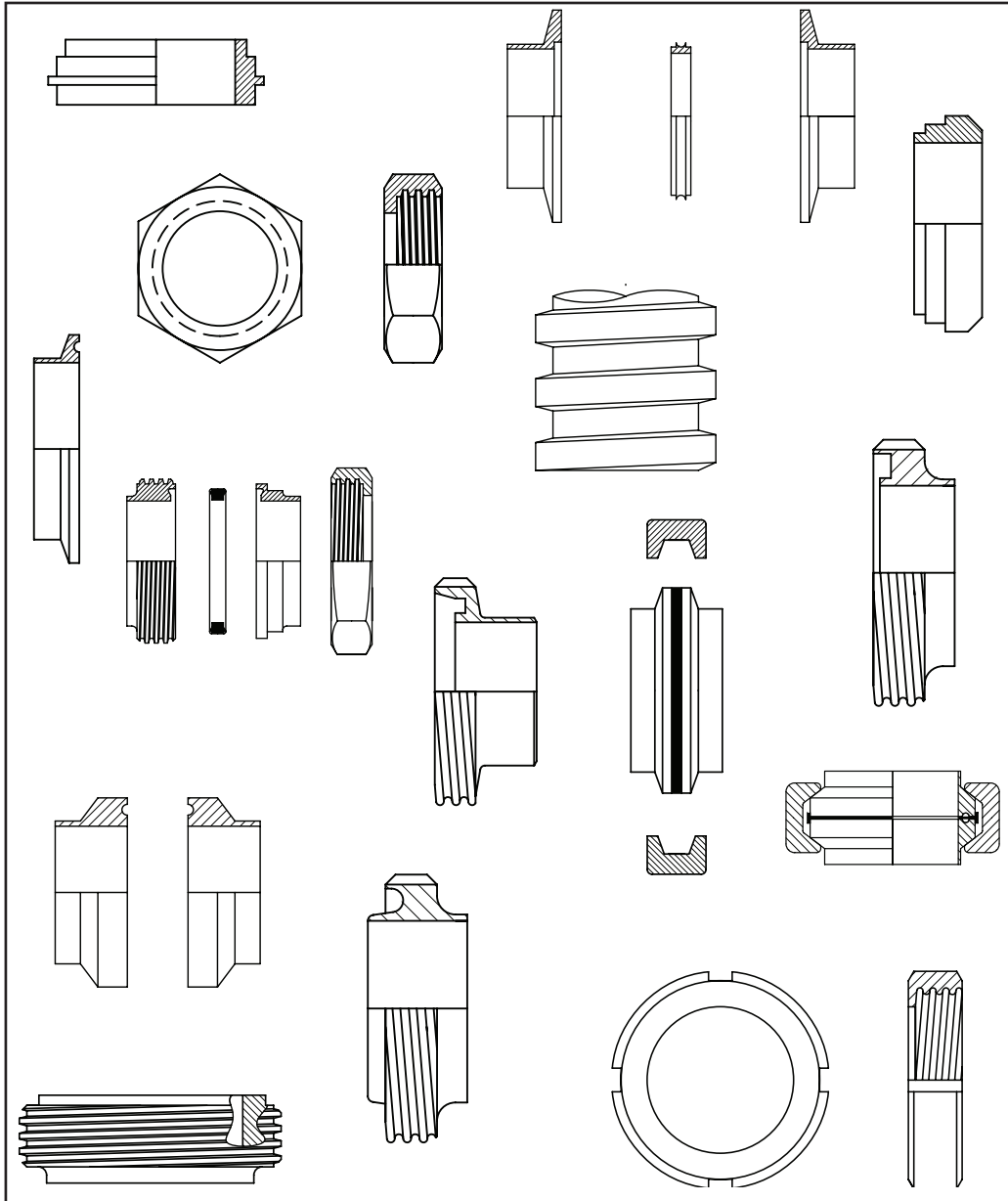




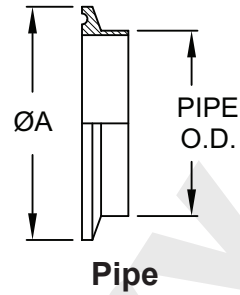
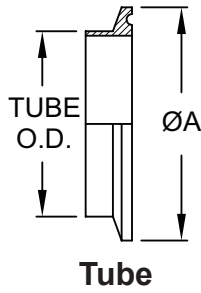
The Right Connection®



Dixon Sanitary

Sanitary Fittings Identification

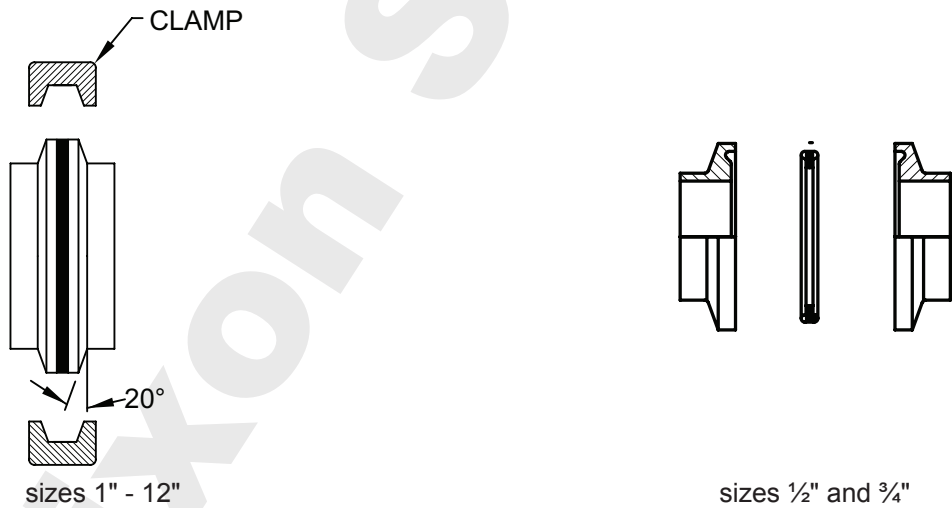
Clamp Ferrules



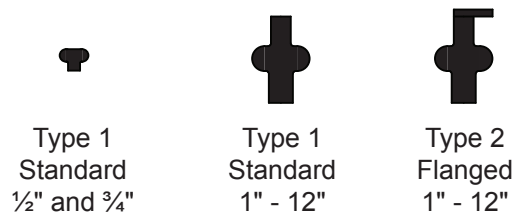
Note: flanges are symmetrical

Tube OD (inches)	ØA	Pipe Size (inches)	Pipe OD (inches)	ØA
1/2	.992	1	1.315	1.984
3/4	.992	1 1/4	1.660	2.516
1	1.984	1 1/2	1.900	2.516
1 1/2	1.984	2	2.375	3.047
2	2.516	2 1/2	2.875	3.579
2 1/2	3.047	3	3.500	4.125
3	3.579	4	4.500	5.125
4	4.682	6	6.625	7.195
5	5.687	8	8.625	9.200
6	6.570			
8	8.602			
10	10.570			
12	12.570			

Clamp Connection

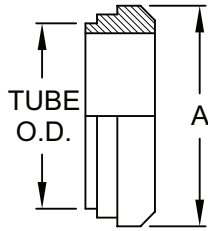


Gaskets



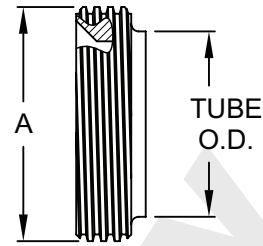
same as BS4B25 part 3

Bevel Seat Ferrules



Plain Bevel Seat

Tube OD (inches)	ØA
1	1.312
1½	1.848
2	2.380
2½	2.912
3	3.444
4	4.508

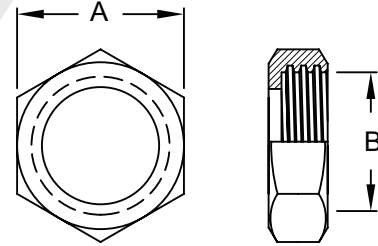


Threaded Bevel Seat

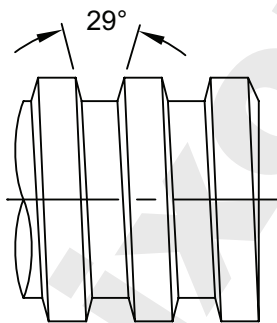
Tube OD (inches)	ØA
1	1.462
1½	1.994
2	2.526
2½	3.058
3	3.590
4	4.695

13H Hex Nuts

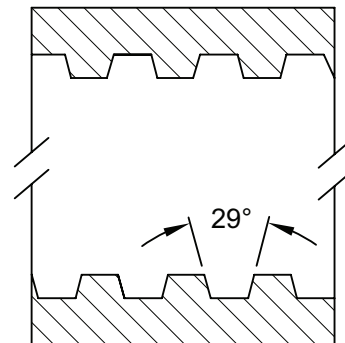
Tube OD (inches)	A Across Flats	B Thread ID	Threads Per Inch
1	1.812	1.362	8
1½	2.406	1.894	8
2	3.000	2.426	8
2½	3.594	2.958	8
3	4.188	3.490	8
4	5.438	4.554	6



Acme Thread Form



male thread

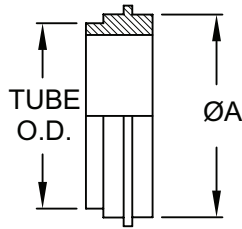


female thread

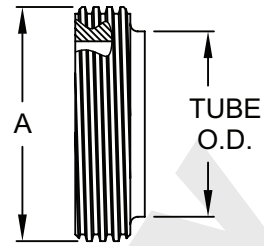
Gasket



John Perry Ferrules



Plain Ferrules

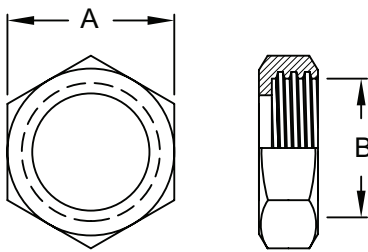


Threaded Ferrules

Tube OD (inches)	ØA
1	1.125
1½	1.656
2	2.187
2½	2.656
3	3.187
4	4.187

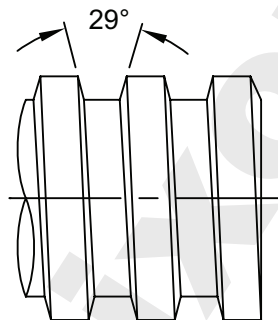
Tube OD (inches)	ØA
1	1.462
1½	1.994
2	2.526
2½	3.058
3	3.590
4	4.695

13H Hex Nuts

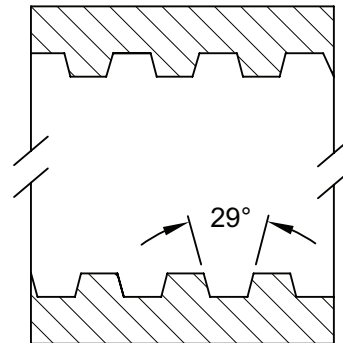


Tube OD (inches)	A Across Flats	B Thread ID	Threads Per Inch
1	1.812	1.362	8
1½	2.406	1.894	8
2	3.000	2.426	8
2½	3.594	2.958	8
3	4.188	3.490	8
4	5.438	4.554	6

Acme Thread Form



male thread

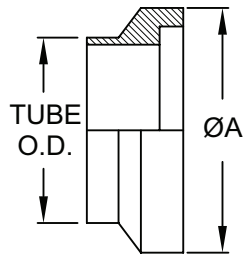


female thread

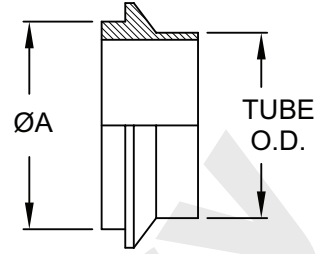
Gasket



I-Line Ferrules



Female Ferrules

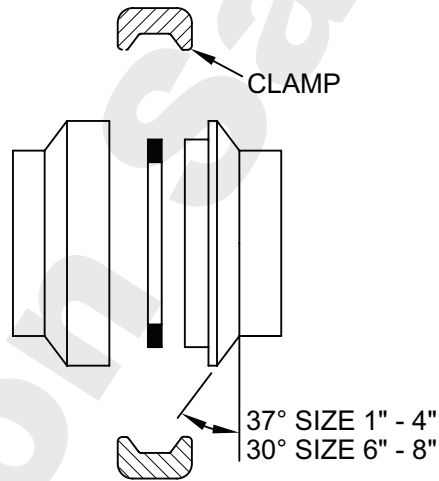


Male Ferrules

Tube OD (inches)	ØA
1	1.985
1½	1.985
2	2.640
2½	3.307
3	3.870
4	4.870
6	7.495
8	9.945

Tube OD (inches)	ØA
1	1.250
1½	1.740
2	2.240
2½	2.740
3	3.300
4	4.297
6	6.830
8	8.830

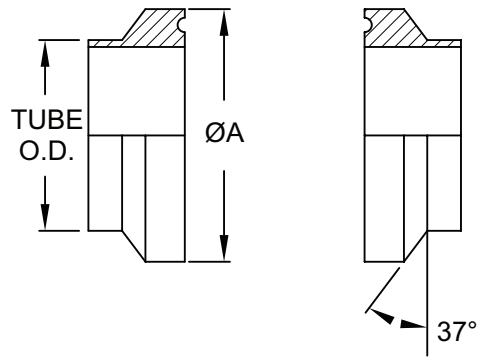
Clamp Connection



Gasket



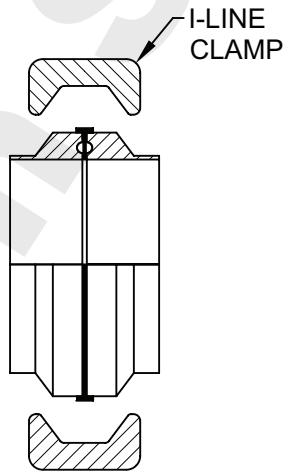
Q-Line Ferrules



Note: flanges are symmetrical

Tube OD (inches)	ØA
1	1.985
1½	1.985
2	2.640
2½	3.307
3	3.870
4	4.870

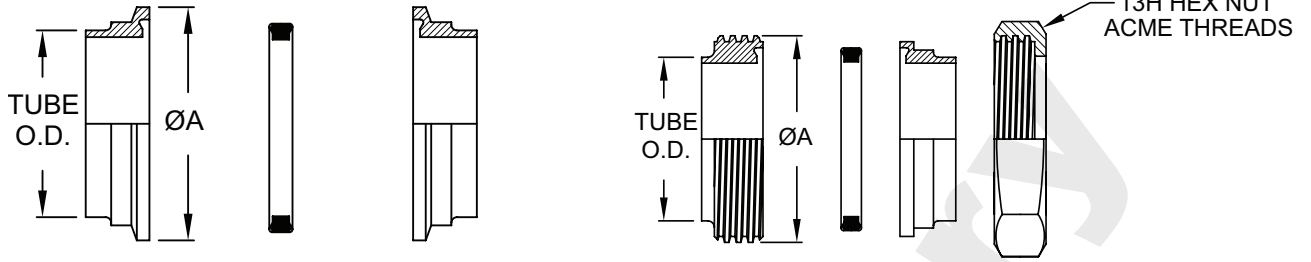
Clamp Connection



Gasket



APC Ferrules



Note: flanges are symmetrical, use standard clamps

Clamp Ferrules

Tube OD (inches)	ØA
1	1.98
1½	1.98
2	2.52
2½	3.05
3	3.58
4	4.68

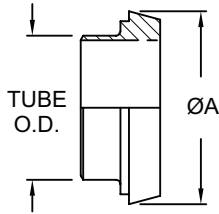
Threaded Ferrules

Tube OD (inches)	ØA
1	1.462
1½	1.994
2	2.526
2½	3.058
3	3.590
4	4.695

Gasket

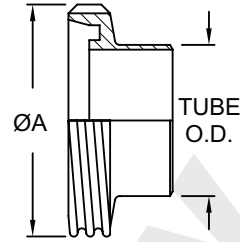


DIN11851 Imperial Couplings



Weld Males

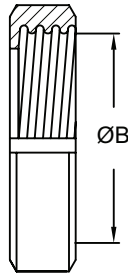
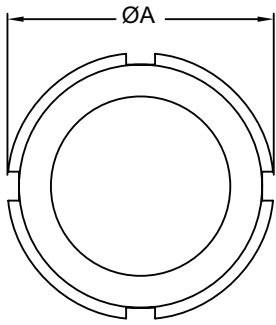
Tube OD (inches)	ØA
1	1.73
1½	2.20
2	2.68
2½	3.39
3	3.94
4	4.76



Weld Liners

Tube OD (inches)	ØA
1	2.04
1½	2.56
2	3.07
2½	3.74
3	4.31
4	5.10

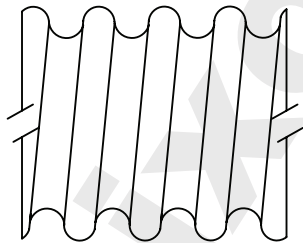
Round Nut



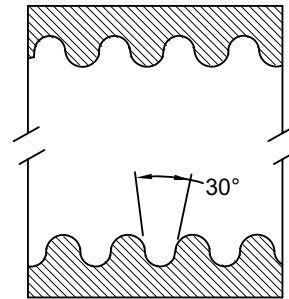
Tube OD (inches)	DN	ØA	B Thread ID	Threads Per Inch
1	25	2.48	1.88	6
1½	40	3.07	2.39	6
2	50	3.62	2.90	6
2½	65	4.41	3.49	6
3	80	5.00	4.14	4
4	100	5.83	4.94	4

Note: nuts 3" and larger will have 6 slots

DIN Thread Form



male thread

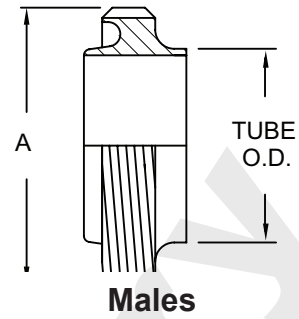
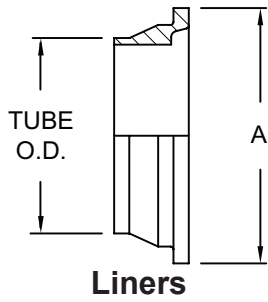


female thread

Gasket



RJT Couplings (ring joint type)

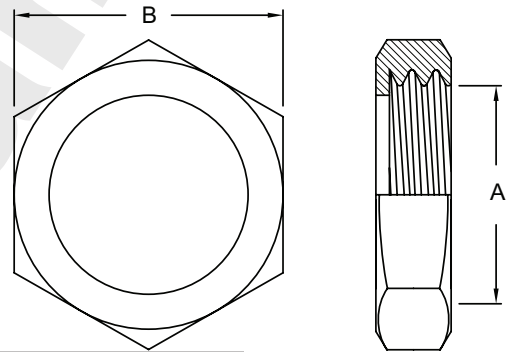


Tube OD (inches)	ØA Thread OD
1	1.63
1½	2.13
2	2.63
2½	3.13
3	3.63
4	4.63

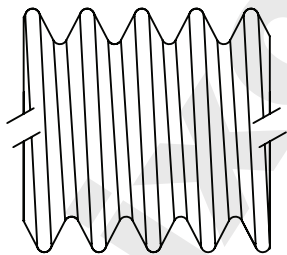
Tube OD (inches)	ØA
1	1.80
1½	2.30
2	2.86
2½	3.36
3	3.86
4	4.86

Nut

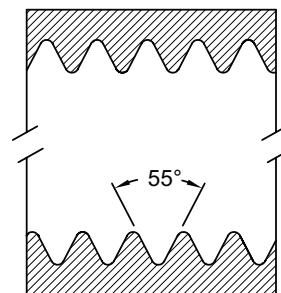
Tube OD (inches)	A Thread ID	B Dimension
1	1.68	2.00
1½	2.18	2.56
2	2.69	3.12
2½	3.19	3.62
3	3.69	4.12
4	4.69	5.12



RJT Thread Form (British Standard Witworth)



male thread



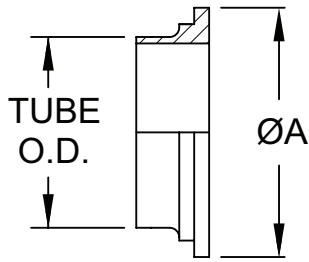
female thread

Gasket



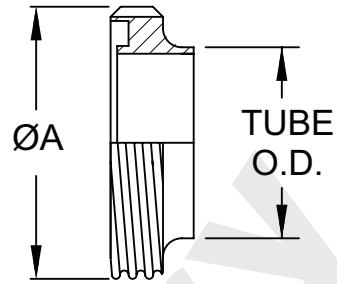
Also known as BSM (British Standard Milk) in Australia modified into Australian CIP Union

SMS Couplings



Weld Liners

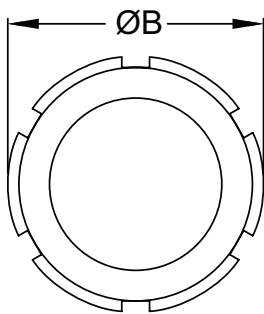
Tube OD (inches)	ØA
1	1.40
1½	2.17
2	2.56
2½	3.15
3	3.66
4	4.65



Weld Males

Tube OD (inches)	ØA
1	1.55
1½	2.34
2	2.74
2½	3.33
3	3.84
4	4.90

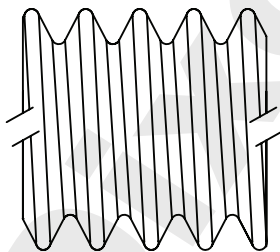
Nut



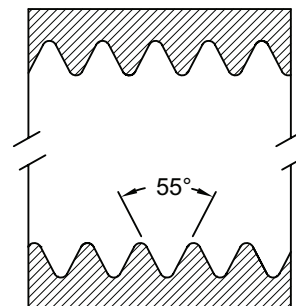
Tube OD (inches)	A Thread ID	B Dimension	Threads Per Inch
1	1.44	2.01	6
1½	2.22	2.91	6
2	2.62	3.31	6
2½	3.21	3.94	6
3	3.72	4.49	6
4	4.72	5.43	4

Note: all nuts have 6 slots

SMS Thread Form



male thread

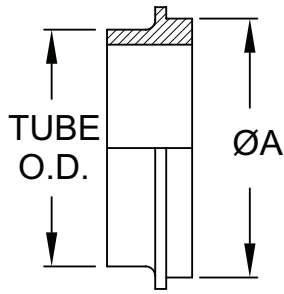


female thread

Gasket

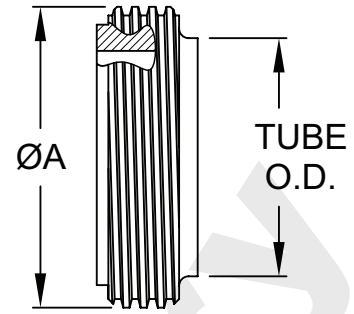


IDF Couplings



Weld Liners

Tube OD (inches)	ØA
1	1.33
1½	1.85
2	2.38
2½	2.91
3	3.44
4	4.75

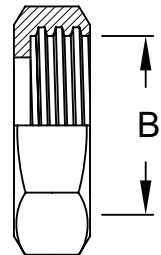
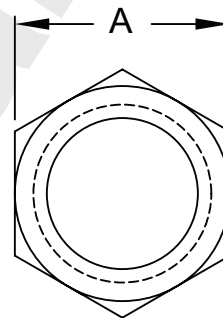


Weld Males

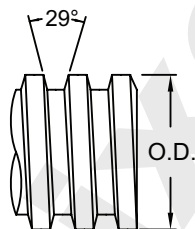
Tube OD (inches)	ØA
1	1.46
1½	1.99
2	2.53
2½	3.06
3	3.59
4	4.96

Nut

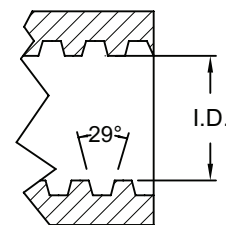
Tube OD (inches)	A Across Flats	B Thread ID	Threads Per Inch
1	1.81	1.35	8
1½	2.36	1.88	8
2	2.95	2.42	8
2½	3.54	2.95	8
3	4.13	3.48	8
4	5.24	4.81	6



IDF Thread Form (same as Acme thread form)



male thread



female thread

Gaskets

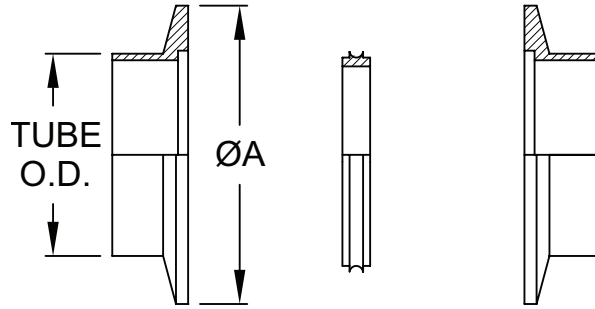


BS4825



ISO

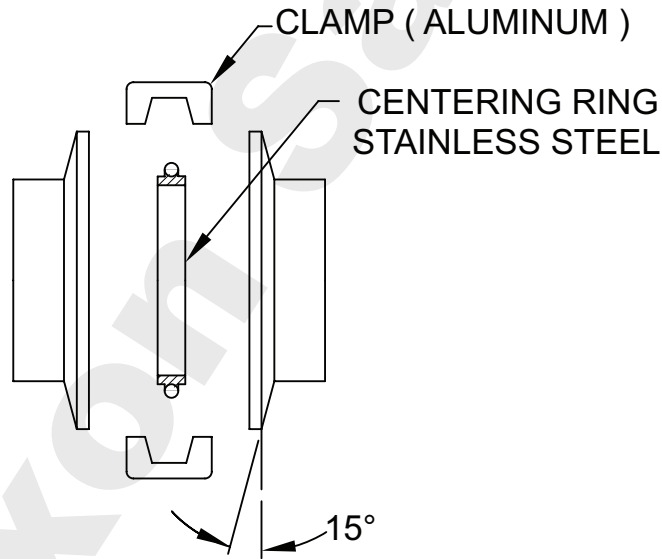
Vacuum Flanges



Note: flanges are symmetrical

Tube OD (inches)	ØA
1/2	1.18
3/4	1.18
1	1.57
1 1/2	2.16
2	2.95

Clamp Connection



Gasket



Atlanta, GA

770-486-9619
 101 T.D.K. Blvd., Suite A
 Peachtree City, GA 30269
 Fax: 770-486-9813

Charlotte, NC

704-334-9175
 2925 Cheif Court
 Dallas, NC 28034
 Fax: 704-334-9002

Chestertown, MD

800-355-1991
 800 High Street
 Chestertown, MD 21620
 Fax: 410-778-4702

Chicago, IL

800-323-4440
 40 Chestnut Avenue
 Westmont, IL 60559
 Fax: 630-323-4120

Cleveland, OH

330-425-3000
 1900 Enterprise Parkway
 Twinsburg, OH 44087
 Fax: 330-425-1527

Gloversville, NY

518-725-0998
 178A Corporate Drive
 Gloversville, NY 12078
 Fax: 518-725-8542

Houston, TX

713-678-4291
 6525 Homestead Rd.
 Houston, TX 77028
 Fax: 713-678-8105

Kansas City, MO

816-241-7111
 1814 N. Corrington
 Kansas City, MO 64120
 Fax: 816-241-7121

Los Angeles, CA

909-605-6400
 8840 Flower Road
 Suites 150/160
 Rancho Cucamonga, CA 91730
 Fax: 909-605-6200

Portland, OR

503-289-0400
 2642 North Marine Drive
 Portland, OR 97217
 Fax: 503-289-0600

Salt Lake City, UT

801-972-1180
 McGillis Ind. Pk. Bldg., #4
 1972 South 4370 West
 Salt Lake City, UT 84104
 Fax: 801-972-8063

Tampa, FL

813-247-3500
 5120 Adamo Drive, Suite E
 Tampa, FL 33619
 Fax: 813-247-7910

Alberta, Canada

780-469-5444
 Fax: 780-463-9205

Ontario, Canada

705-436-1125
 Fax: 705-436-6251

Quebec, Canada

514-422-9292
 Fax: 514-422-0166

Wingfield SA, Australia

61-8-8202-6000
 Fax: 61-8-8202-6099

Preston, England

44-1-77-232-3529
 Fax: 44-1-77-231-4664

Troisdorf-Spich, Germany

49-2241-84406-0
 Fax: 49-2241-8440679

Monterrey, Mexico

52-81-8354-5649
 Fax: 52-81-8354-8197

Dixon Sanitary

N25 W23040 Paul Road
 Pewaukee, WI 53072
 Customer Service: 800.789.1718
 Customer Service Fax: 800.789.4046
 dixonvalve.com



The Right Connection®

Dixon, founded in 1916, is a premier manufacturer and supplier of hose couplings, valves, dry-disconnects, swivels, and other fluid transfer and control products. The company's global reach includes a wide range of products for numerous industries including petroleum exploration, refining, transportation, chemical processing, food & beverage, steel, fire protection, construction, mining and manufacturing. Dixon's strategic objective is to create solutions that make products safer, leak-free, longer lasting, and always available.